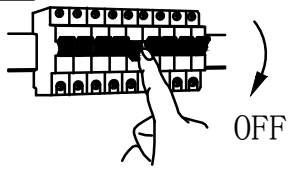
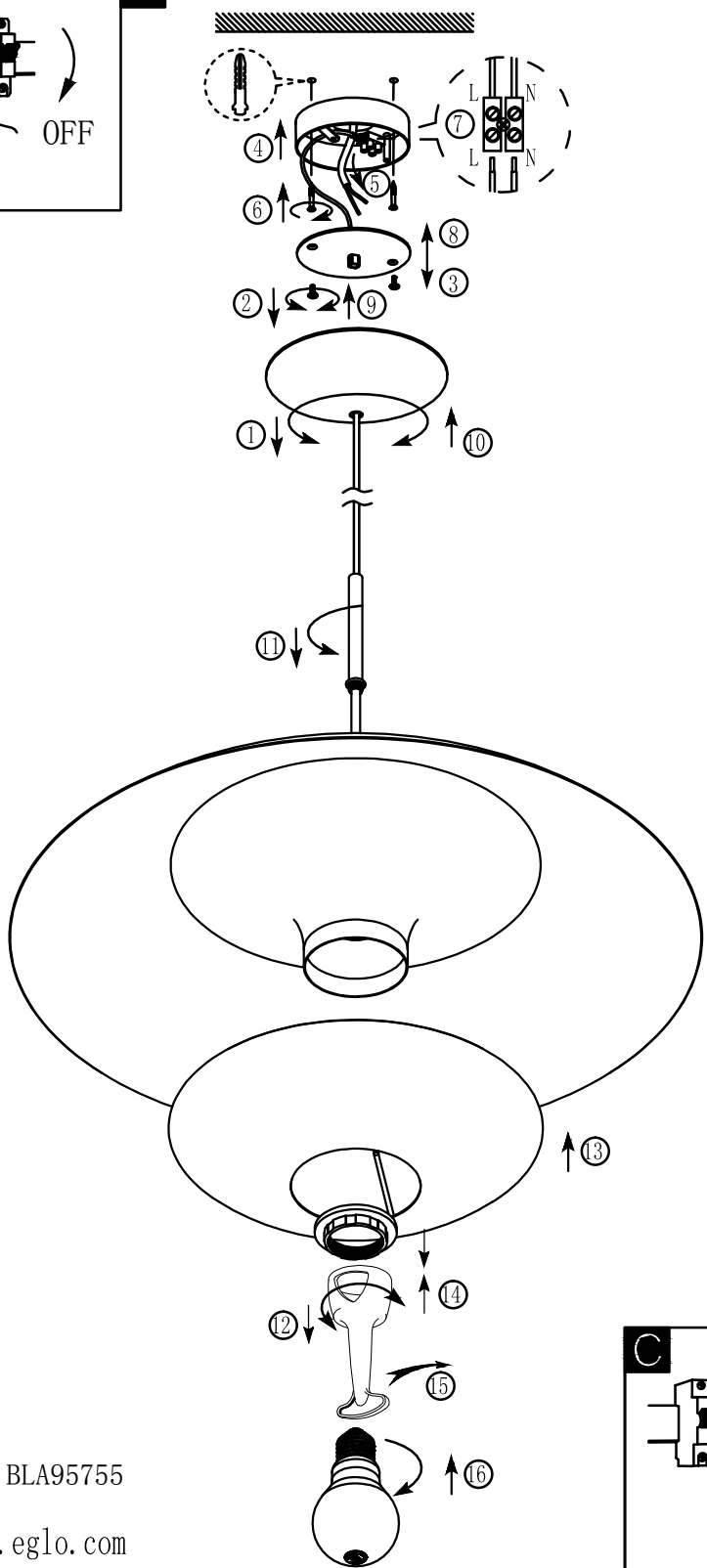
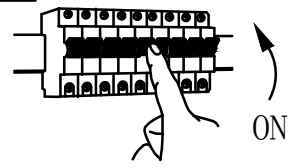


A**B****C**

BLA95755

www.eglo.com